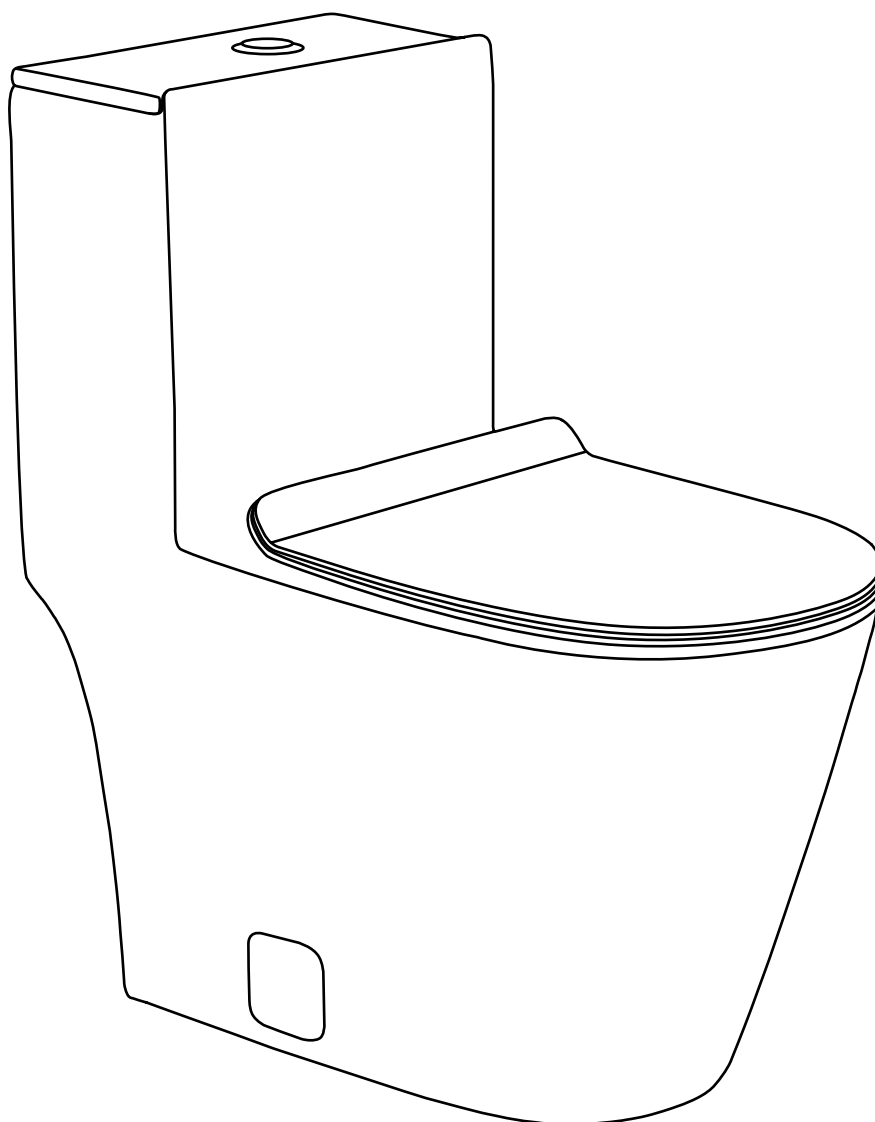


DOWELL

**Siphonic One Piece Toilet
INSTALLATION GUIDE**



INSTALLATION INSTRUCTIONS CARE AND MAINTENANCE

To ensure this product is installed properly, please read these instructions carefully before you begin.

(Certain installations may require professional help.) Also be sure your installation conforms to local codes.

CAUTION: HANDLE WITH CARE. VITREOUS CHINAWARE FRAGILE WITH SHARP EDGES IF BROKEN.

NOTE: Pictures may not exactly define contour of china and components.

RECOMMENDED TOOLS AND MATERIALS

Putty Knife	Sealant	Flathead Screwdriver	Adjustable Wrench
Tape Measure	Hacksaw	Flexible Supply Hose	Water Supply Kit
Carpenters Level			

1 REMOVE OLD TOILET

a. Turn off water supply valve and flush tank completely. Towel or sponge remaining water from tank and bowl.

b. Disconnect and remove old water supply line.

NOTE: If replacing valve, first shut off main water supply!

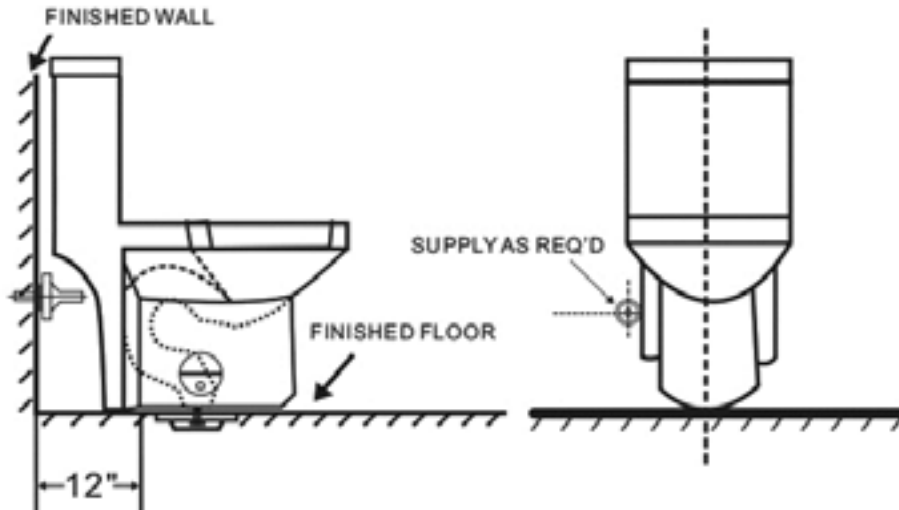
c. Remove old mounting hardware, remove toilet and plug floor flange to block sewer gases from escaping.

d. Remove closet bolts from flange and clean away old wax, putty, etc from base area.

NOTE: MOUNTING SURFACE MUST BE CLEAN AND LEVEL BEFORE NEW TOILET IS INSTALLED.

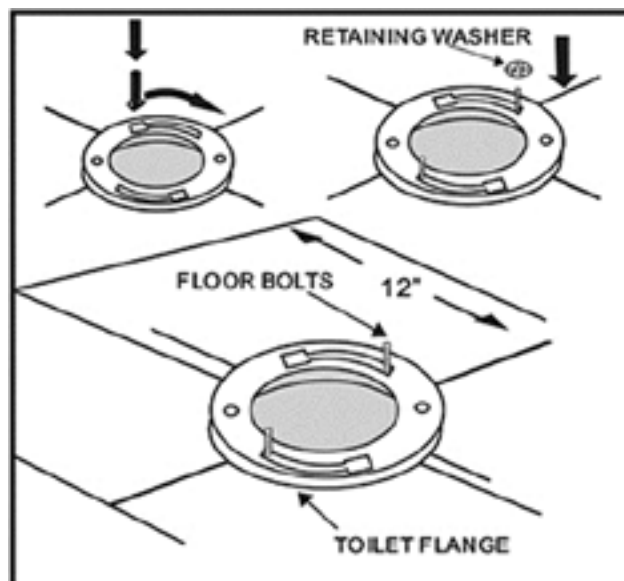
2 ROUGHING-IN DIMENSIONS:

NOTE: Distance from wall to closet flange center line must be as listed on chart:



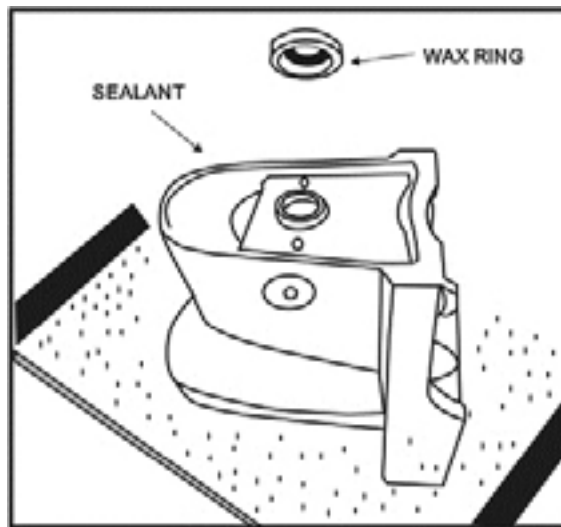
3. INSTALL CLOSET BOLTS

Insert floor bolts into flange channel with bolt head down (use plastic retaining washers to hold the bolts in full-length). Floor bolts should be parallel to wall and 6" (152mm) apart.



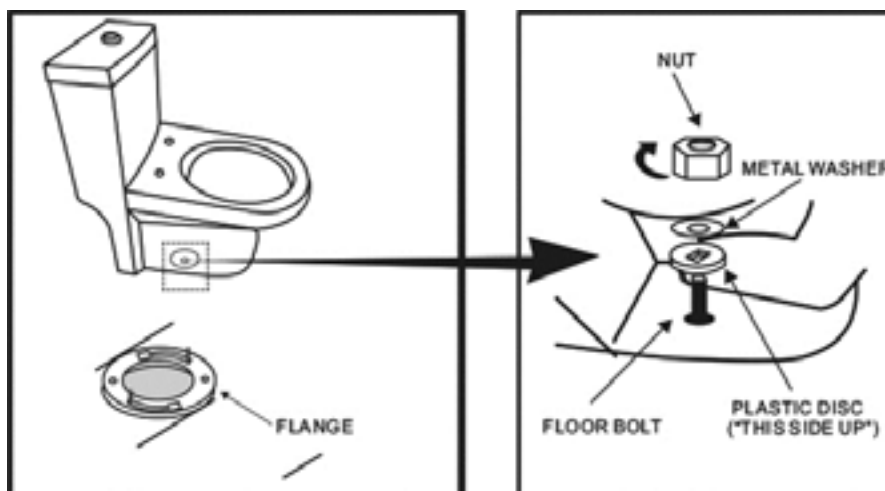
4. INSTALL WAX RING

Turn toilet bowl down onto a towel or cushioned surface. Place the wax ring around the draining outlet of the bowl and press firmly enough. Apply a thin bead of sealant around toilet base.



5. POSITION TOILET BOWL ON FLANGE

- Unplug floor waste opening. gently place the bowl in position with the floor bolts protruding up through the hole in the base.
- Press down with slight twisting motion on the top center of bowl to compress the wax ring creating a water-tight seal.
- Place plastic disc, metal washers and nuts on floor bolts.



6 INSTALLING THE COVER OF THE FLOOR BOLT

Part (SS1) and (SS2) are already installed into the opening when you get the toilet. Click the cover of the floor bolt (SS3) into part (SS2). Then repeat the second cover for the other side of the toilet.

